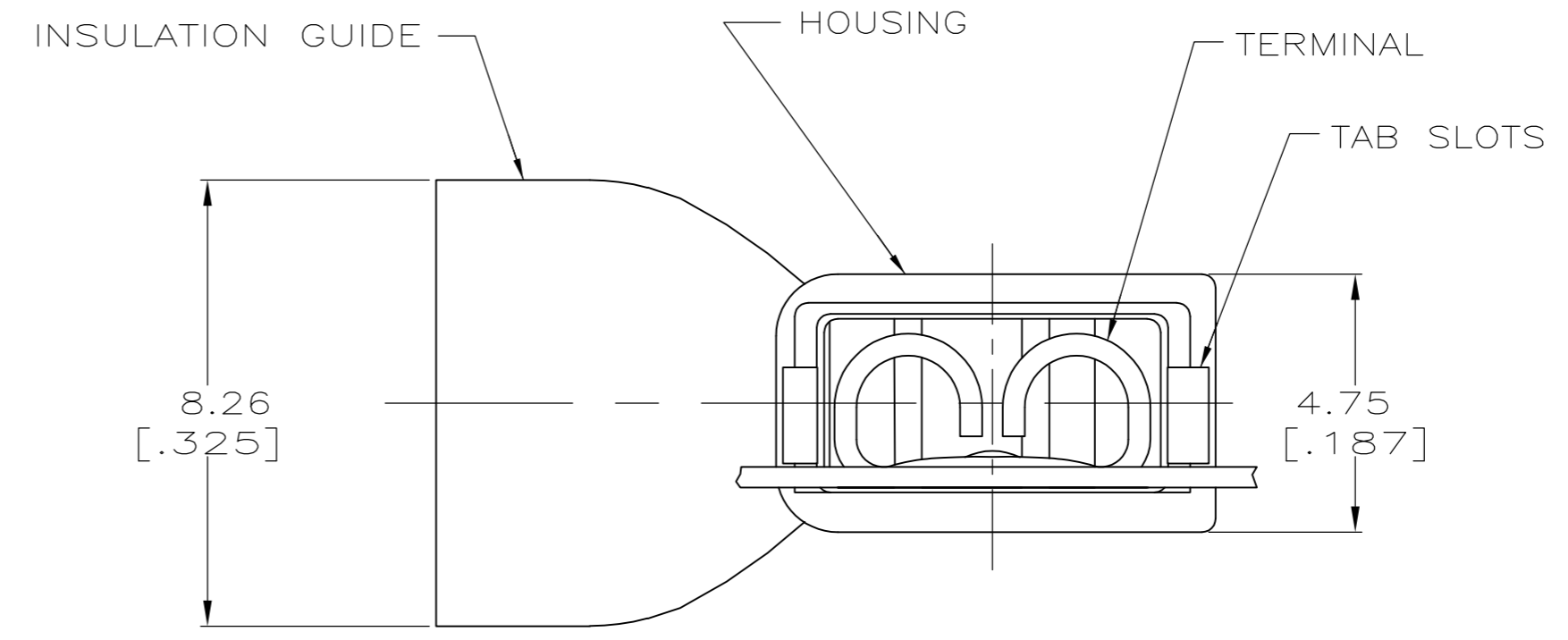
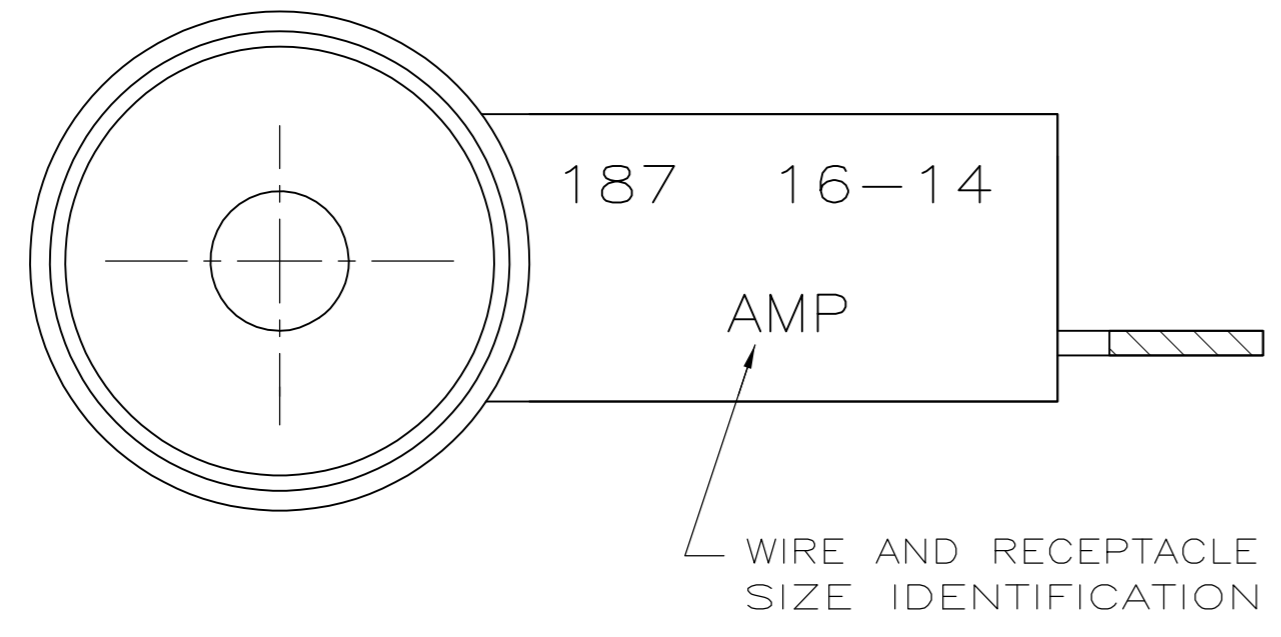
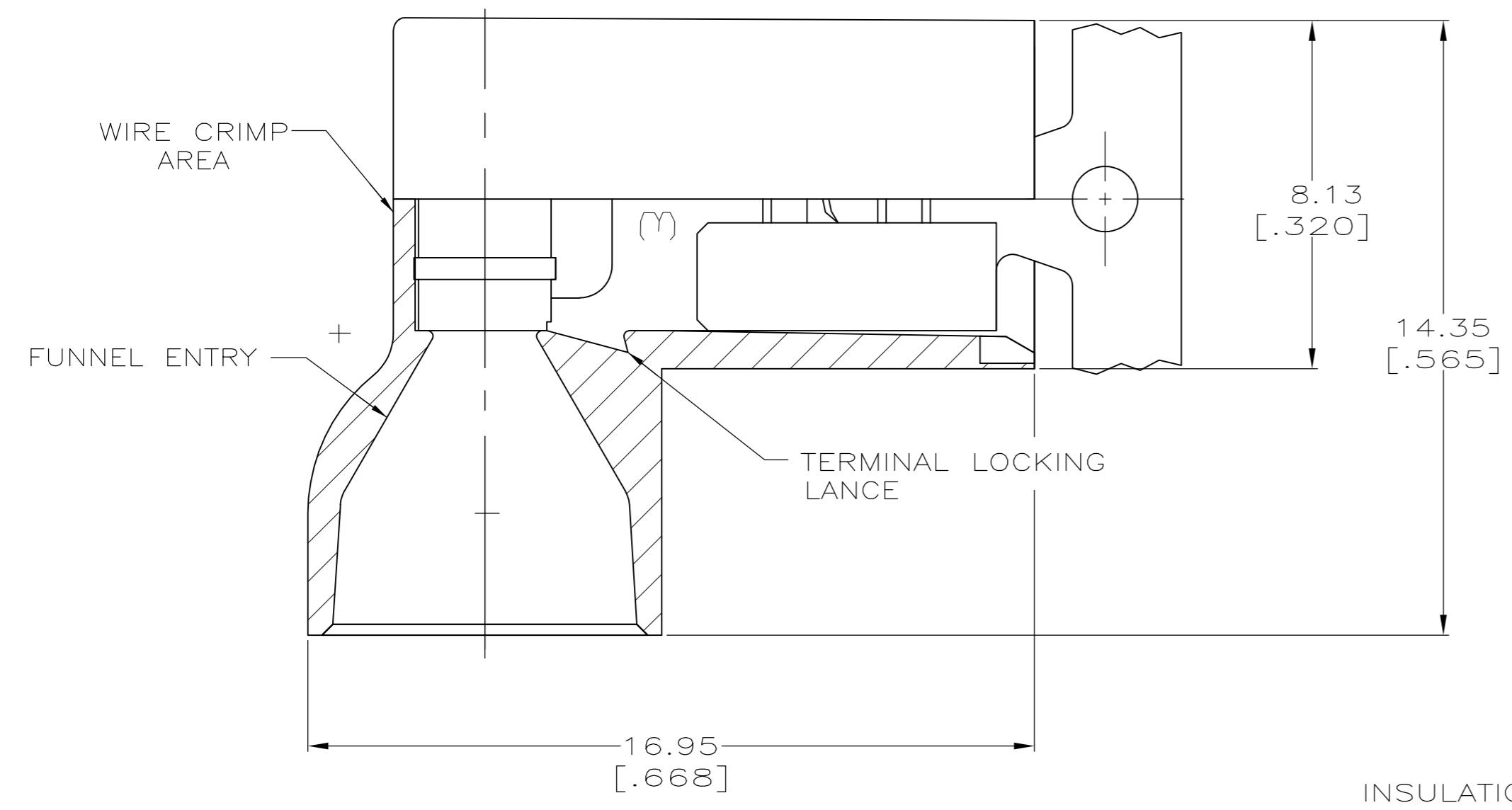


THIS DRAWING IS UNPUBLISHED. RELEASED FOR PUBLICATION
 © COPYRIGHT - By - ALL RIGHTS RESERVED.

LOC	DIST	REVISIONS					
		P	LTR	DESCRIPTION	DATE	DWN	APVD
AF	50	E		REVISED PER ECR-13-004343	30JUL13	KH	KR

- 1 FITS 0.81±0.025 X 4.75 [.032±.001 X .187] TAB
- 2 WIRE SIZE: 1.3-2.0mm² [16-14 AWG], STRANDED ONLY.
ONE WIRE STRIP LENGTH 7.94 [.312]
TWO WIRE STRIP LENGTH 8.51 [.335]
- 3 INSULATION SIZE: 6.60 [.260] MAX DIA.
- 4 CONTINUOUS STRIP.
- △ PRELIMINARY - NOT FOR PRODUCTION



TYPE 6/6 NYLON	BLACK	BRASS	TIN PLATE	△ 9-521247-2
TYPE 6/6 NYLON	BLUE TRANSLUCENT	BRASS	TIN PLATE	3-521247-2
MATERIAL	COLOR	MATERIAL	FINISH	PART NUMBER
HOUSING		TERMINAL		

THIS DRAWING IS A CONTROLLED DOCUMENT.		DWN	JR RUTH	16DEC99	 TE Connectivity RECEPTACLE, ASSEMBLY, FLAG, ULTRA-FAST, .187 SERIES
DIMENSIONS: mm [INCHES]		CHK	MS FEHER	16DEC99	
TOLERANCES UNLESS OTHERWISE SPECIFIED:		APVD	J HUMMEL	16DEC99	
0 PLC ± - 1 PLC ± - 2 PLC ± 0.25 [.010] 3 PLC ± - 4 PLC ± - ANGLES ± -		PRODUCT SPEC	108-2043	APPLICATION SPEC	
MATERIAL	SEE TABLE	FINISH	SEE TABLE	WEIGHT	-
CUSTOMER DRAWING		SIZE	A2	CAGE CODE	00779
		DRAWING NO	C=521247		RESTRICTED TO
		SCALE	8:1	SHEET	1 of 1
		REV	E		